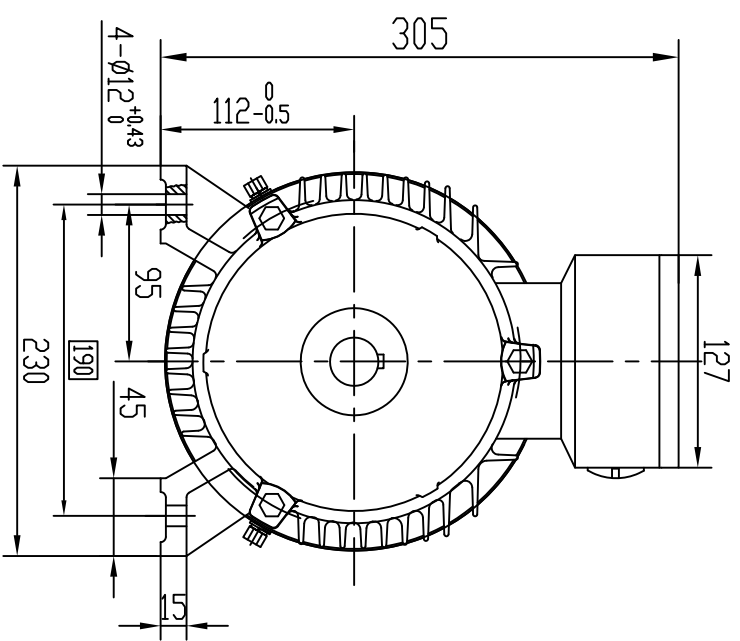


F — F



Mark	EM2-112 B3	Standard	Sign	Weightscale	EM2-112 B3
Drawing Number					
Design					
Check					
Auditing					
Technics		Approval	Total page	page No.	

