

6 5 4 3 2 1

D

C

B

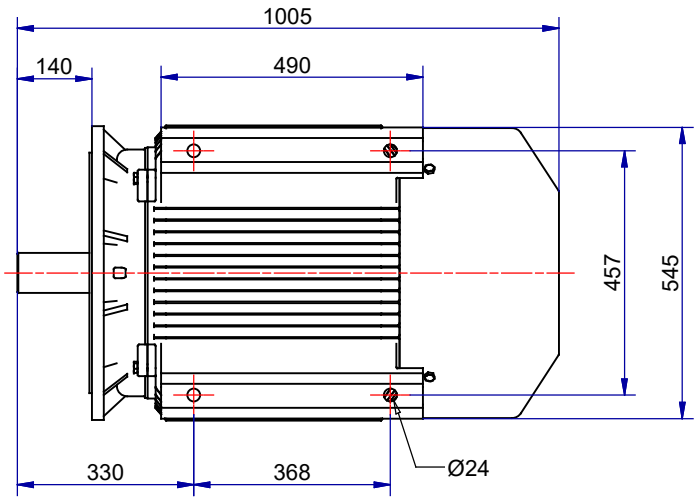
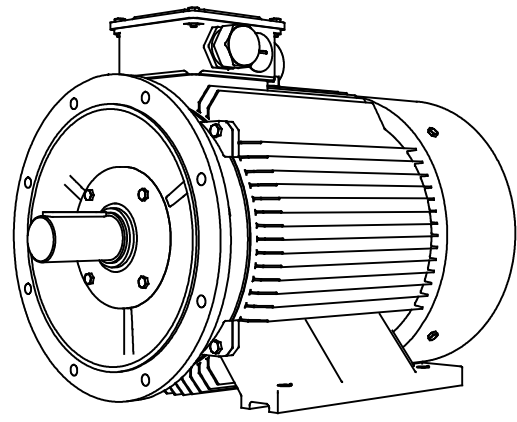
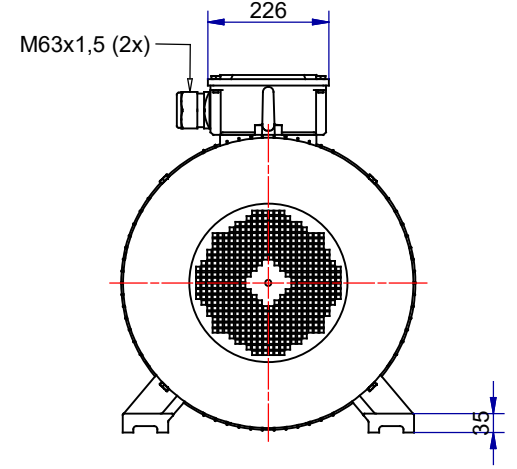
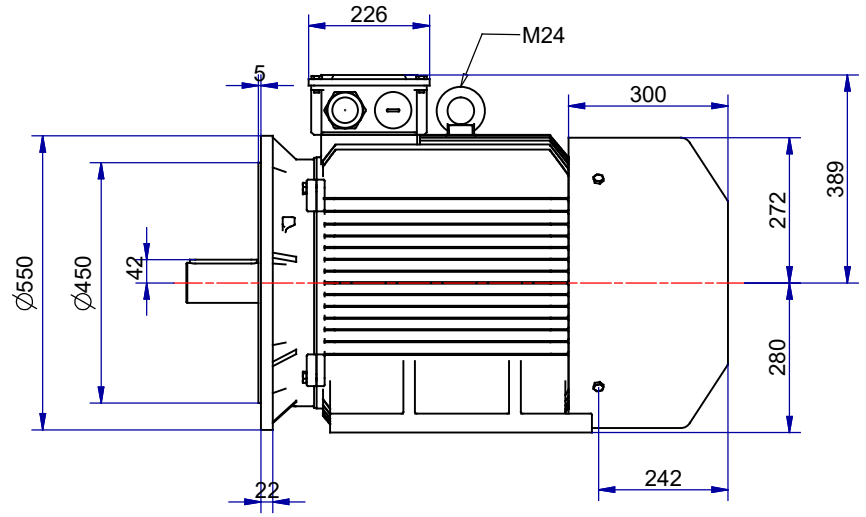
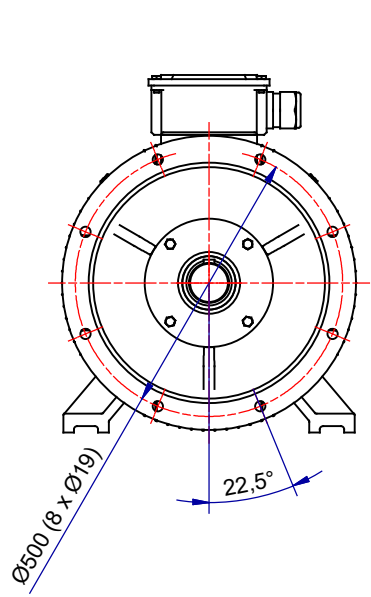
A

D

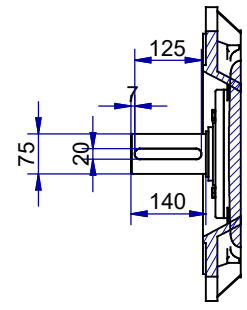
C

B

A



Shaft detail



6 5 4 3 2 1